

1 2 3 4 5 6 7 8

A

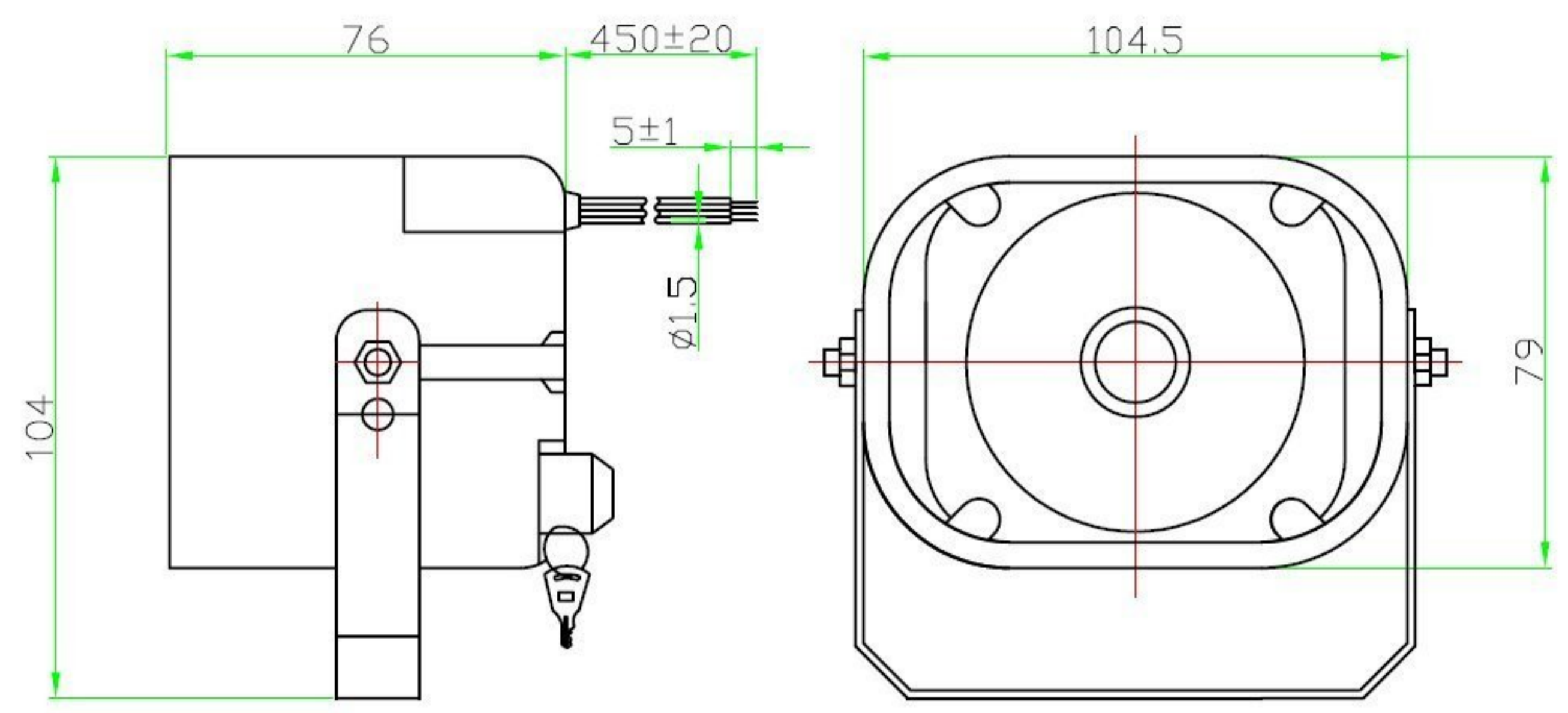
B

C

D

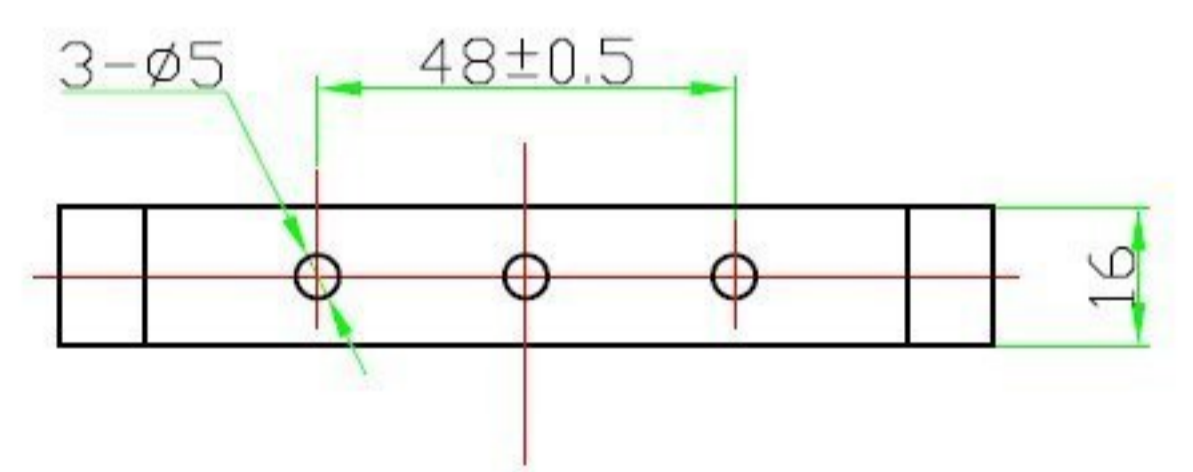
E

F



Specification (Test Condition, 25°C)

1. Rated Voltage..... 12VDC
2. Operating Voltage 6-15VDC
3. Max. Rated Current 1.1A/12VDC
4. Min. Sound Pressure Level 108±3dB at 12VDC/100cm
5. Tone Nature Siren
6. Case Material ABS
7. Operating Temperature -20~+60°
8. Store Temperature -30~+70°
9. Weight 465g



				NINGBO ELECTRONIC CO.,LTD	
				Electronic Siren SYR104B	
No.	DESCRIPTION	APPROVED	DATE		
<small>TOLERANCES UNLESS NOTED OTHERWISE</small> .X = .XX = .XXX ± 90° FORMED +2° ANGLES -1° FIRST ANGLE PROJECTION		APPROVALS		DATE	
		DRAWN			
		CHECKED			
		APPROVED	04.11.02	UNIT mm	DWG NO. 840.436
				SCALE NOT TO SCALE	SHEET VER 1.1

1 2 3 4 5 6 7 8