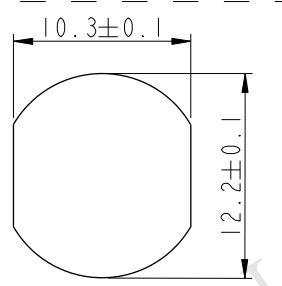
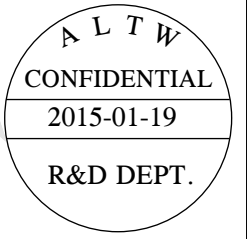
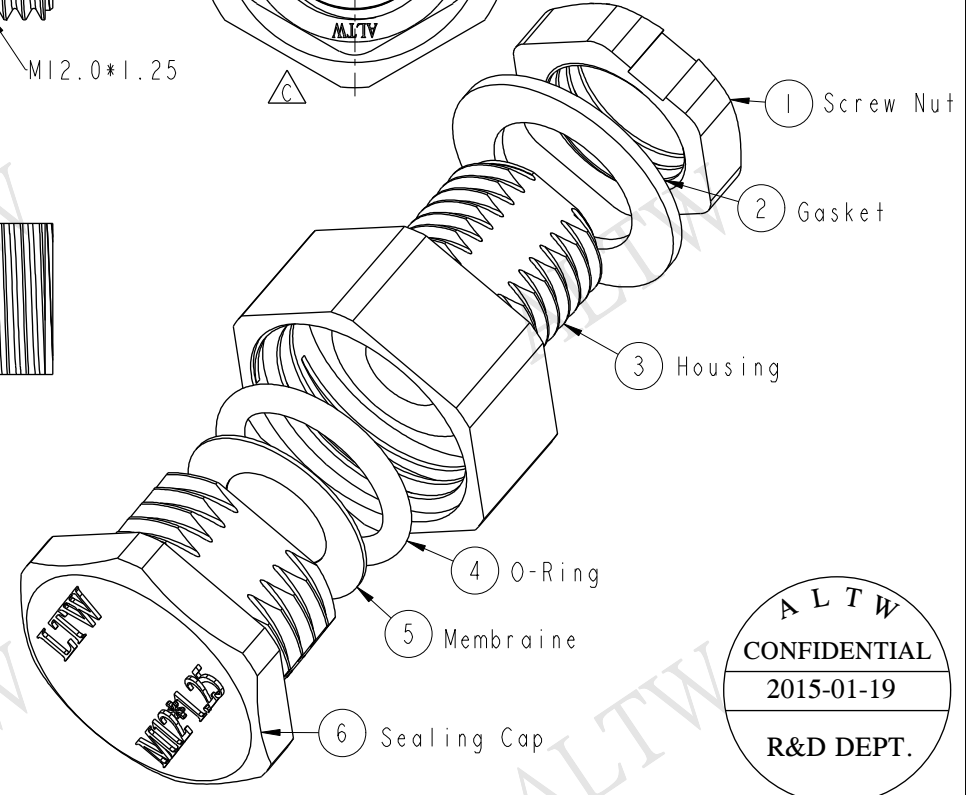
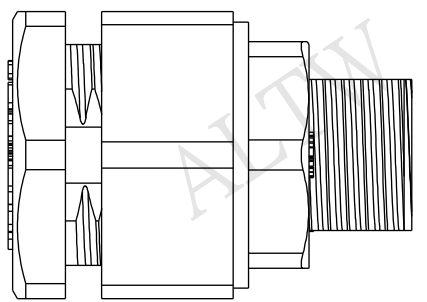
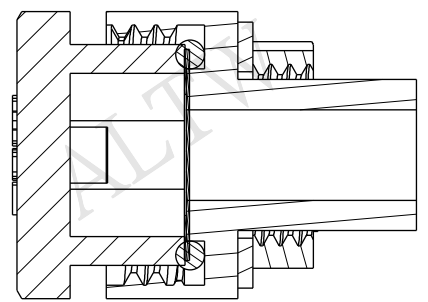
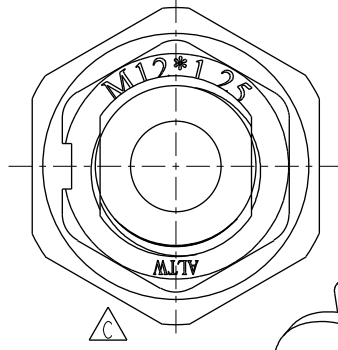
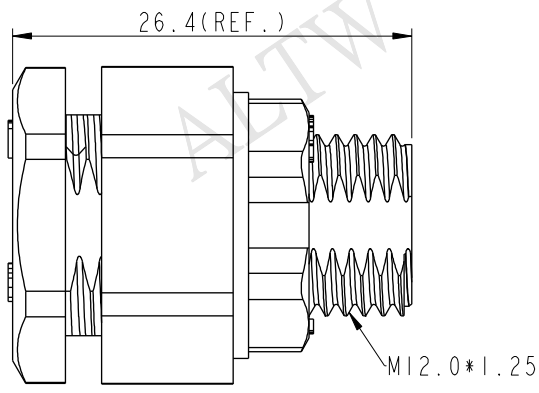
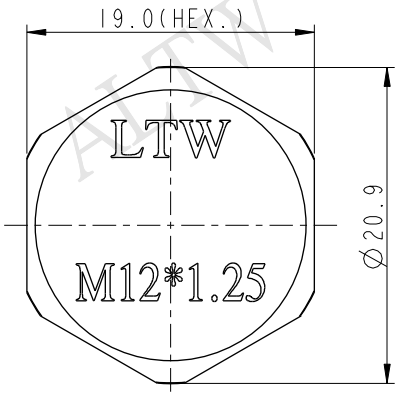


| REV. | ECN NO. | DATE | SIGN | DESCRIPTION |
|------|------------|------------|-------|--------------|
| B | LEN-940043 | 2009/04/03 | TOMMY | ADD THE NOTE |
| C | LEN1510683 | 2015/01/19 | Ruru | Change Logo |



- Note:
- * \varnothing Important Dimension
 - * Waterproof Rate: IP67
 - * Nut: Black, Nylon 66
 - * Gasket: Black, EPDM
 - * Housing: Black, PBT+PC
 - * O-Ring: Black, EPDM
 - * Membrane: White, PTFE
 - * Sealing Cap: Black, PBT+PC
 - * Maximum Panel Thickness: 6.5mm
 - * Air permeability: 12sec/100cm
 - * Water entry pressure: 100kPa



Recommended Panel Cut-Out

| | | | | | | | |
|------------|--|----------|---------|---------------------------------|------------|-------------|------------|
| UNIT: mm | | TITLE | | | ITEM NO | DRAWN BY | DATE |
| | | M12 Vent | | | VENT-BD001 | Ruru | 2015-01-19 |
| TOLERANCE | | SCALE | SIZE | SHEET | DWG NO | CHECKED BY | DATE |
| .X ±0.25 | | 2:1 | A4 | 1 OF 1 | VENT-BD001 | Rita | 2015-01-19 |
| .XX ±0.1 | | REV. | WC-REV. | | CUSTOMER | APPROVED BY | DATE |
| .XXX ±0.05 | | C | A.4 | \varnothing : Inspection item | ALTW | Win | 2015-01-19 |
| ANGLES ±1° | | | | | | | |

Amphenol LTW
安費諾亮泰企業股份有限公司

THIS DOCUMENT IS SUBJECT TO CHANGE WITHOUT NOTICE. IT IS CONFIDENTIAL AND A PROPERTY OF AMPHENOL LTW. DISCLOSURE TO THIRD PARTY HAS TO BE AUTHORIZED BY AMPHENOL LTW.