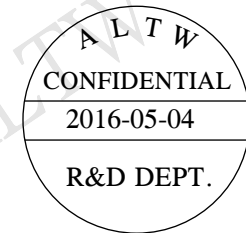
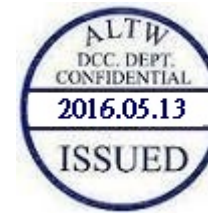
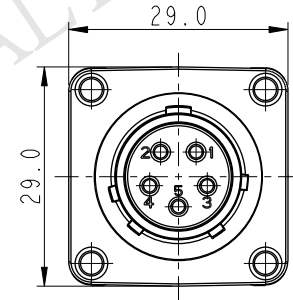
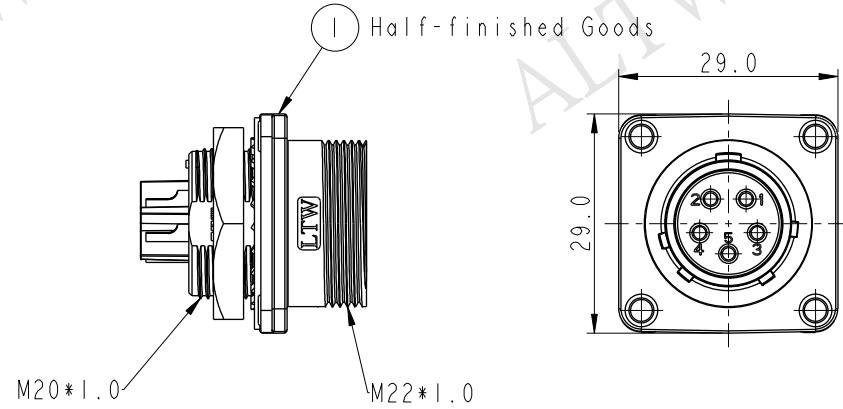
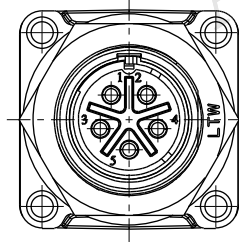
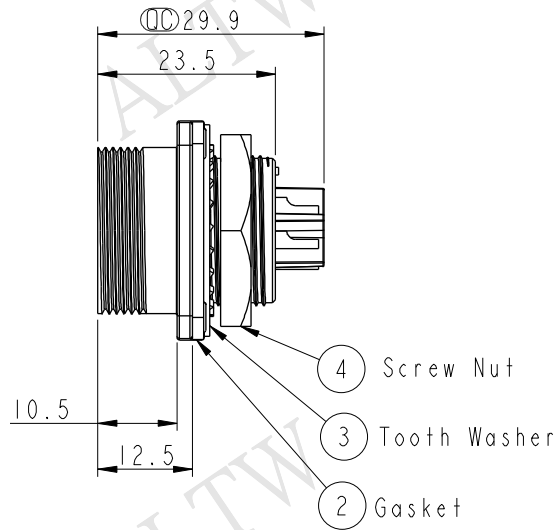
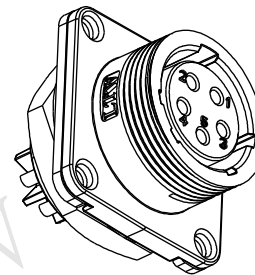
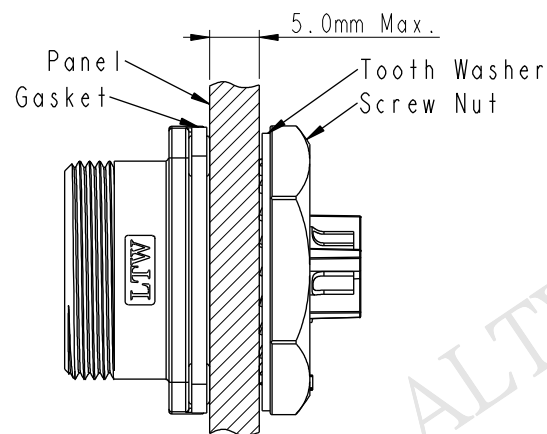


REV.	ECN NO.	DATE	SIGN	DESCRIPTION
A	Initial Release	2012/10/22	Ruru	LB20-05RMFS-SS8001 To LB20-05PMFS-SN8001
B	LE31650225	2016/05/04	Vicky	Update Note

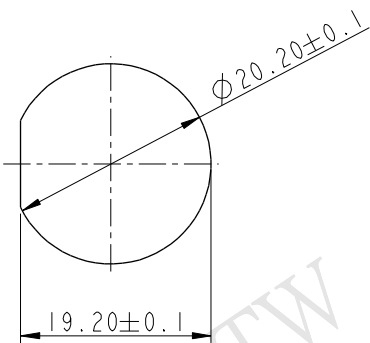


Assembly Instruction



Note:

- * \varnothing Important Dimension.
- * Waterproof Rate: IP68
IP68: 1M depth of water in 24 Hrs.
(防水等級: IP68)
IP68: 水深一米測試24小時
- * Shell: Zinc Alloy#3, Ni Plated, Silver.
- * Insulation: Nylon, Black
- * Female Pin: Copper Alloy, Silver Plated
- * Gasket: Silicone, Gray
- * Recommended Panel Thickness 5.0mm(Max).



Recommend Panel Cut-Out

UNIT: mm		TITLE PANEL NUT 5PIN M CONN F PIN			ITEM NO. LB20-05PMFS-SN8001	DRAWN BY Vicky	DATE 2016-05-04
		TOLERANCE .X ±0.25 .XX ±0.1 .XXX ±0.05 ANGLES ±1°	SCALE 1:1	SIZE A4	SHEET 1 OF 1	DWG NO. LB20-05PMFS-SN8001	CHECKED BY Rita
		REV. B	WC-REV. A.2	\varnothing : Inspection item	CUSTOMER ALTW	APPROVED BY Lisa	DATE 2016-05-04

Amphenol LTW
安費諾亮泰企業股份有限公司

THIS DOCUMENT IS SUBJECT TO CHANGE WITHOUT NOTICE. IT IS CONFIDENTIAL AND A PROPERTY OF Amphenol LTW. DISCLOSURE TO THIRD PARTY HAS TO BE AUTHORIZED BY Amphenol LTW.