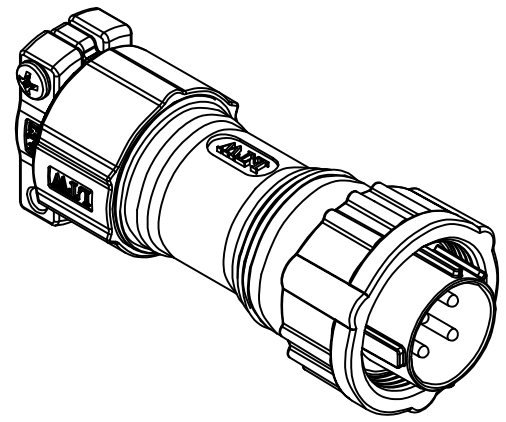
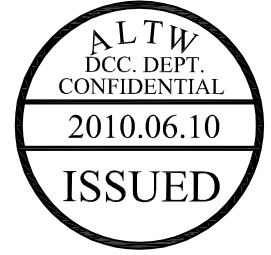
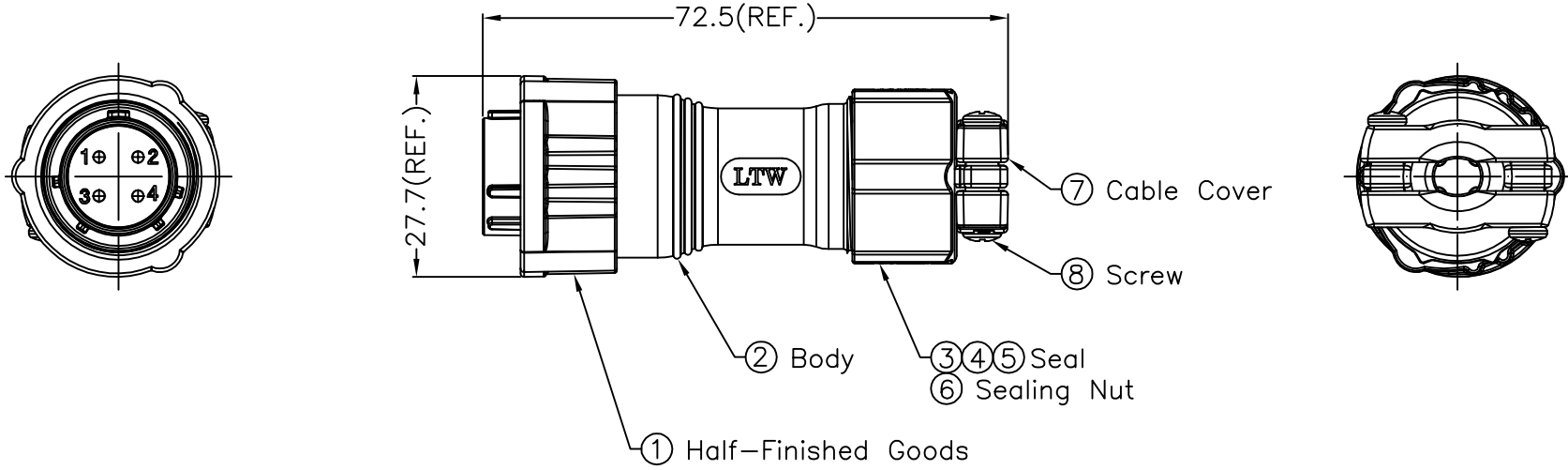


REV.	ECN NO.	DATE	SIGN	DESCRIPTION
A	Initial Release	2010/01/19	Jessie	Form Rev.02 To A
B	LEN-040145	2010/04/16	Jessie	Modify Pin Plated
C	LE3-060084	2010/05/25	Jessie	Modify Note and Shell Plated



Note:

- * Ⓞ Important Dimension.
- * Waterproof Rate: IP68.
- △ IP68: 1M depth of water in 24 Hrs. (防水等級: IP68)
IP68: 水深一米測試 24 小時.
- * Cable OD: $\phi 5.5\text{mm} \sim \phi 12.5\text{mm}$.
- * Gasket: Silicone ,Gray.
- △ * Shell: Zinc Alloy ,Ni Plated ,Silver.
- △ * Male Pin: Copper Alloy ,Silver Plated.
- * Insulation: Nylon ,Black.
- △ ⑨ * One Set Assembled in one PE Bag.

UNIT:mm	
TOLERANCE	
.X	± 0.25
.XX	± 0.1
.XXX	± 0.05
ANGLES	$\pm 1^\circ$

TITLE	
Circular II Series 4 Pin Assy	
SCALE	SHEET
Free	1 OF 1
REV. C	SIZE A4
Ⓞ :Inspection Item	

Amphenol LTW
安費諾亮泰企業股份有限公司

ITEM NO	LB20-04BFMA-SL8001
DWG NO	LB20-04BFMA-SL8001
CUSTOMER	ALTW

DRAWN BY	Jessie
CHECKED BY	Jimmy
APPROVED BY	Win

DATE	2010/05/25
DATE	2010/05/27
DATE	2010/06/01

THIS DOCUMENT IS SUBJECT TO CHANGE WITHOUT NOTICE. IT IS CONFIDENTIAL AND A PROPERTY OF Amphenol LTW. DISCLOSURE TO THIRD PARTY HAS TO BE AUTHORIZED BY Amphenol LTW.