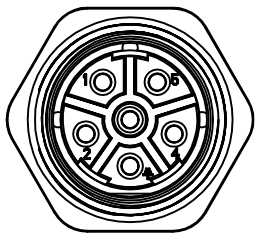
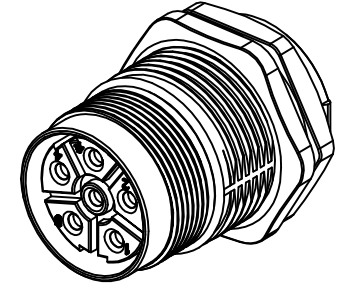
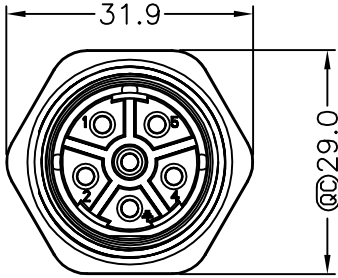
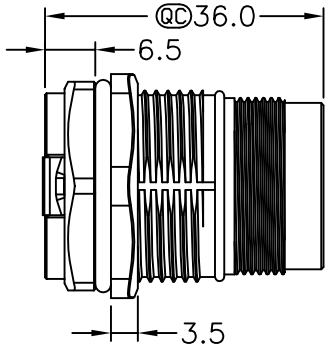
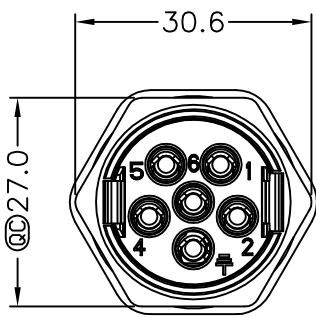
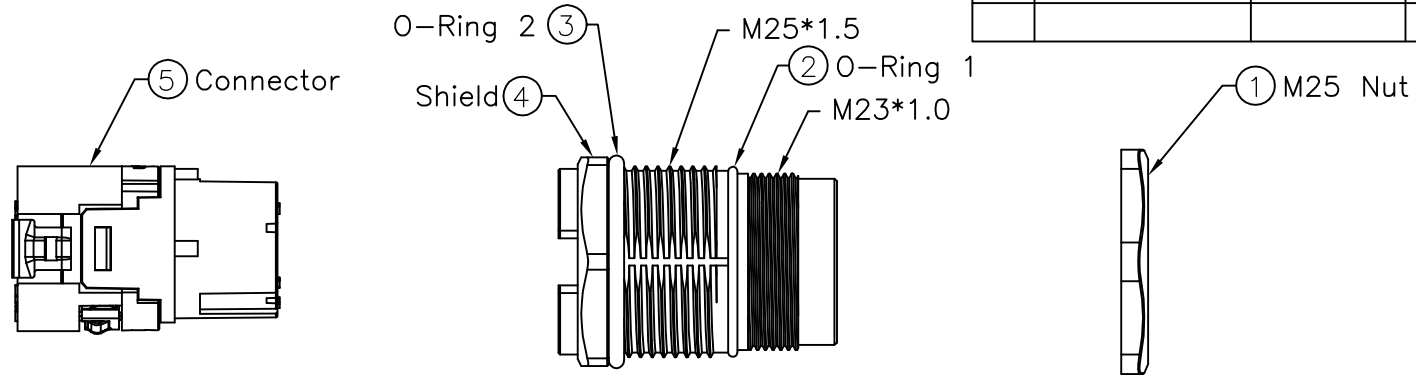
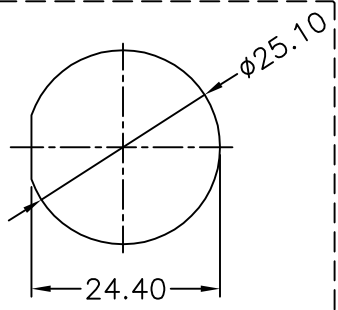


REV.	ECN NO.	DATE	SIGN	DESCRIPTION
A		Initial Release	2010/07/27	Doreen
				Change REV.01 to REV.A

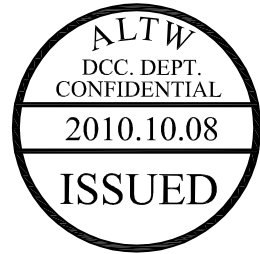
THIS DOCUMENT IS SUBJECT TO CHANGE WITHOUT NOTICE. IT IS CONFIDENTIAL AND A PROPERTY OF Amphenol LTW. DISCLOSURE TO THIRD PARTY HAS TO BE AUTHORIZED BY Amphenol LTW.



Conn.
Pin Assignments
Front View



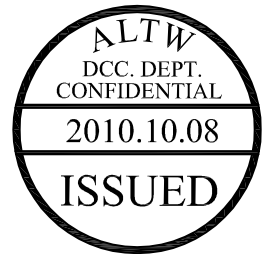
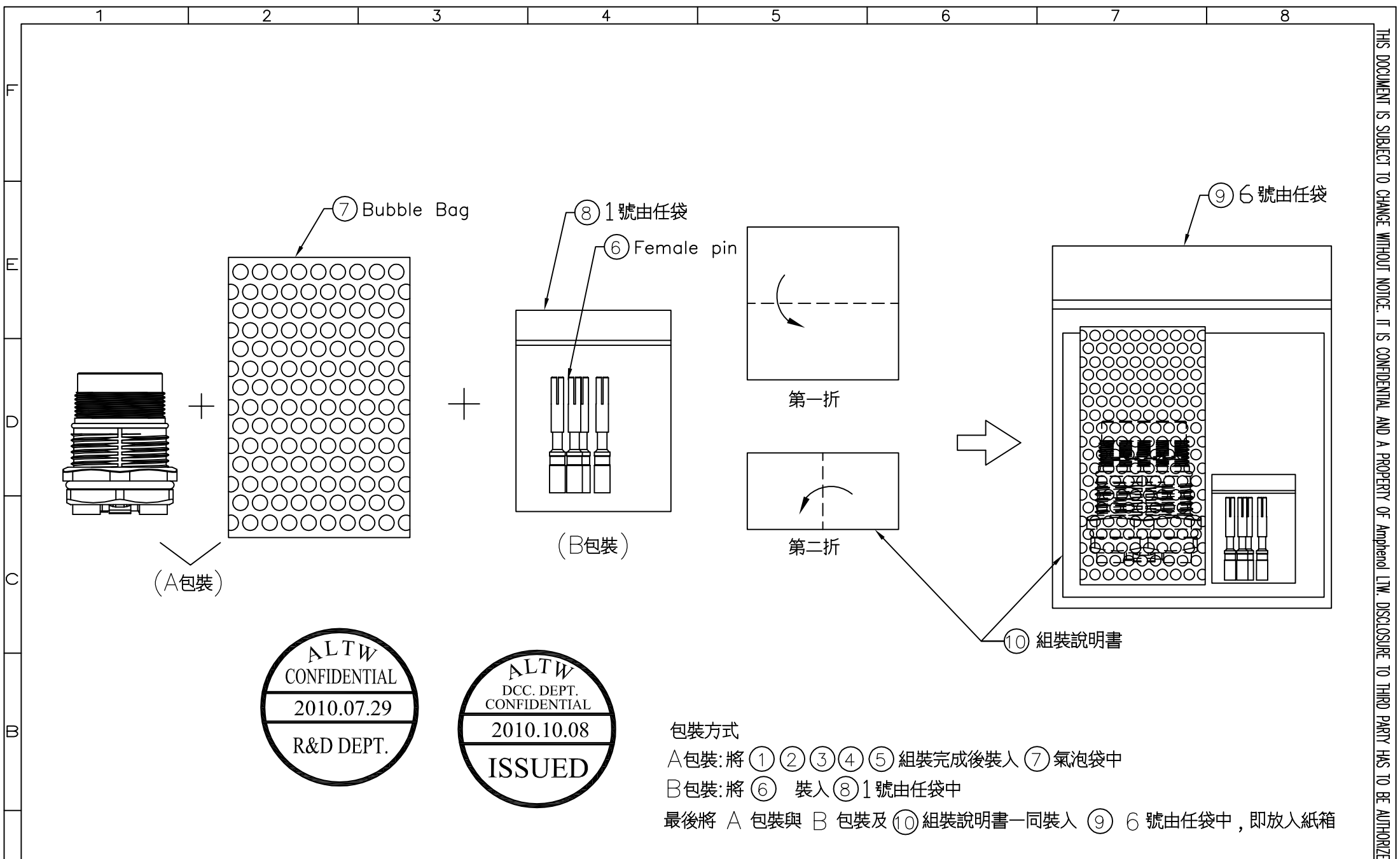
Recommended
Panel Cut-Out



Note:

- * @@ Important Dimension.
- * Waterproof Rate: IP67.
- * Connector: Nylon, Black.
- * Female Pin: Copper Alloy, Gold Plated.
- * Shield: Copper Alloy, Nickel Plated.
- * O-Ring: Silicone, UL94V-0, Gray.
- * Recommended Gauge: 14 Awg, 12 Awg.
- * Use without waterproof cap or dust cap
- Panel Thickness Max: 6.0mm.

UNIT:mm		TITLE	M23 Panel ASS'Y Type, M CON, F PIN		Amphenol LTW		ITEM NO	LJ23-06PMFC-SF7001	DRAWN BY	Doreen	DATE	2010/07/29
TOLERANCE	.X ±0.25 .XX ±0.1 .XXX ±0.05 ANGLES ±1'	SCALE	Free	SHEET	1 OF 2	安費諾亮泰企業股份有限公司	DWG NO	LJ23-06PMFC-SF7001	CHECKED BY	Winnie	DATE	2010/07/29
REV.	A	SIZE	A4	@@	: Inspection Item		CUSTOMER	ALTW	APPROVED BY	Kevin	DATE	2010/08/03



包裝方式

A包裝: 將 ① ② ③ ④ ⑤ 組裝完成後裝入 ⑦ 氣泡袋中

B包裝: 將 ⑥ 裝入 ⑧ 1號由任袋中

最後將 A 包裝與 B 包裝及 ⑩ 組裝說明書一同裝入 ⑨ 6號由任袋中, 即放入紙箱

UNIT:mm		TITLE M23 Panel ASS'Y Type, M CON, F PIN		Amphenol LTW		ITEM NO LJ23-06PMFC-SF7001	DRAWN BY Doreen	DATE 2010/07/29
TOLERANCE .X ±0.25 .XX ±0.1 .XXX ±0.05 ANGLES ±1'	SCALE Free	SHEET 2 OF 2	安費諾亮泰企業股份有限公司			DWG NO LJ23-06PMFC-SF7001	CHECKED BY Winnie	DATE 2010/07/29
REV. A	SIZE A4	◎ : Inspection Item	CUSTOMER ALTW	APPROVED BY Kevin	DATE 2010/08/03			
1	2	3	4	5	6	7	8	FMWIG702-01-01A2