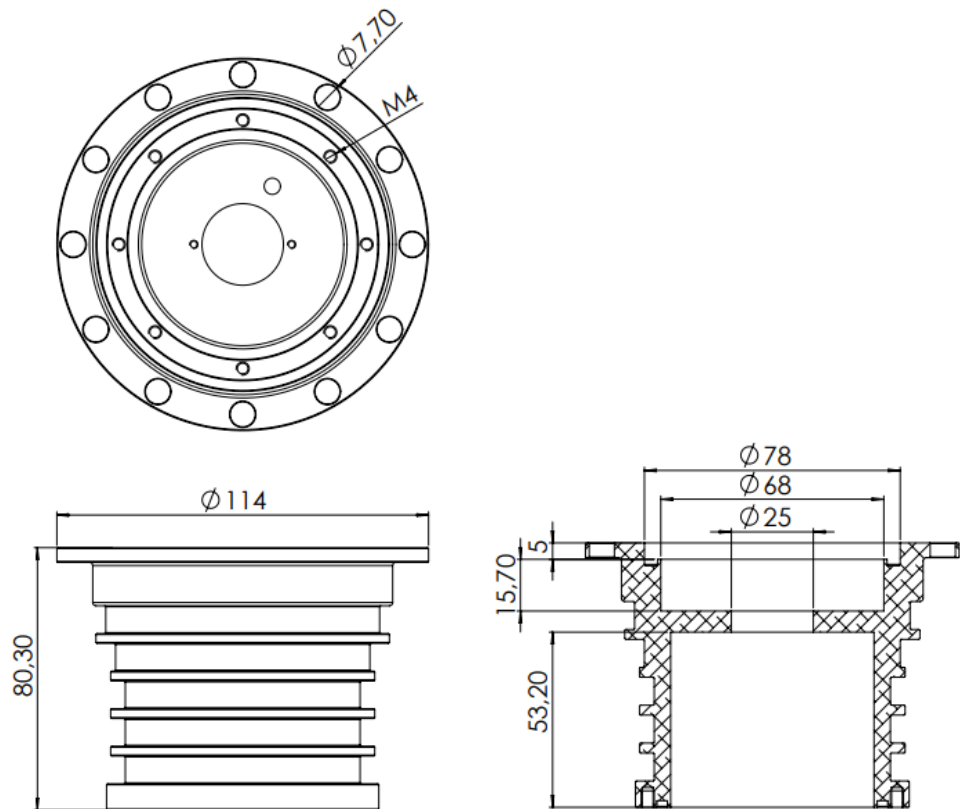




FEATURES

- Made of 316L or 6063-T5
- 3D model available

DIMENSIONS



Ordering code

- DN125-CASE-STEEL – DN125 case made of 316L
- DN125-CASE-6063-T5 – DN125 case made of 6063-T5